



Stainless Steel Sinks & Accessories

200002

Address : 5171 Steeles Ave West, Toronto M2N 3G7

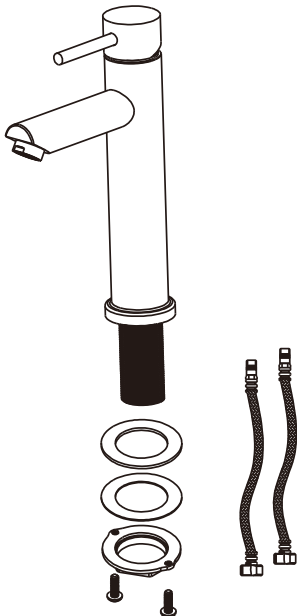
Installation Instruction

Single Handle Kitchen Faucet



Before Your Installation

Check to make sure you have the following parts indicated below:



Tools You Will Need



Adjustable wrench



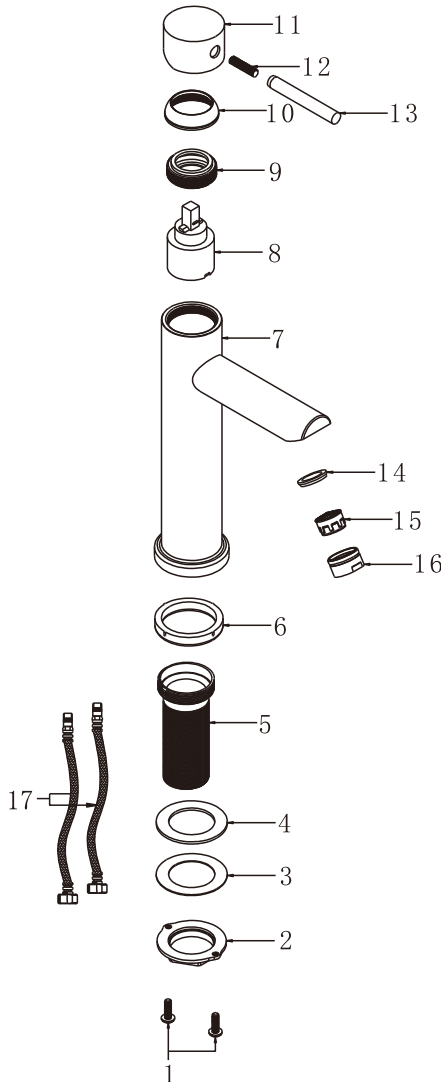
Phillips screwdriver



Spanner for aerator
(supplied)

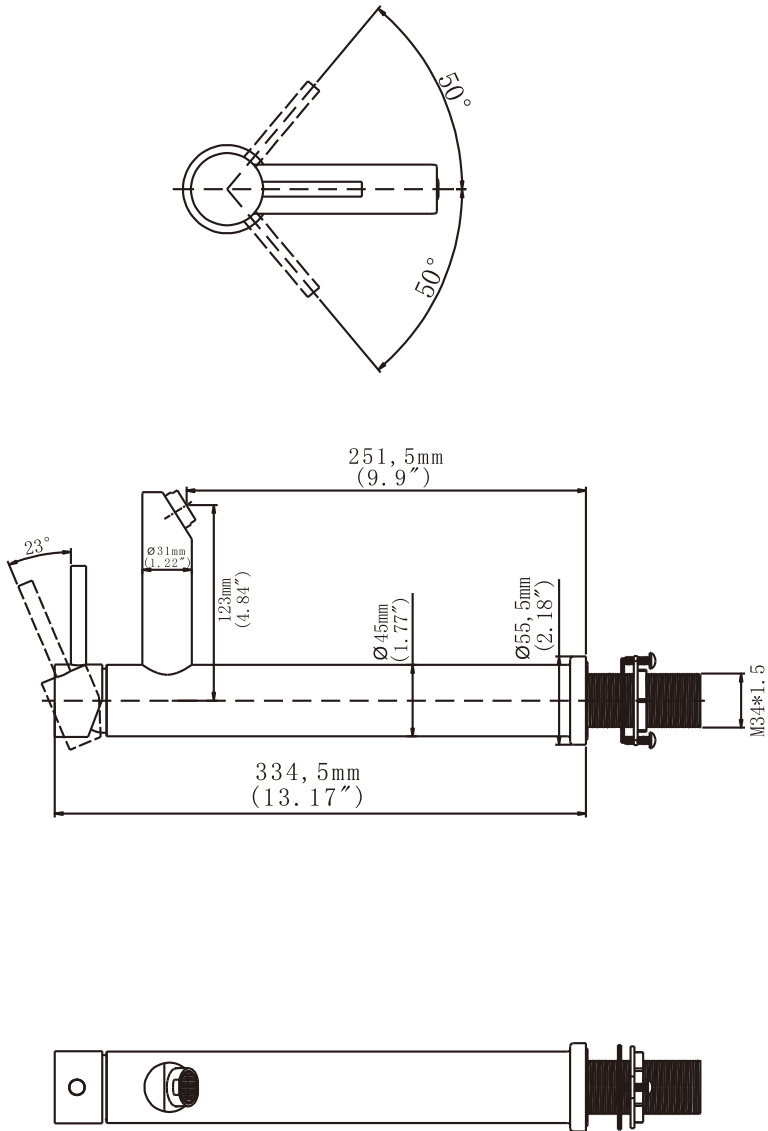
Replacement Parts

Keep this manual for ordering replacement parts.

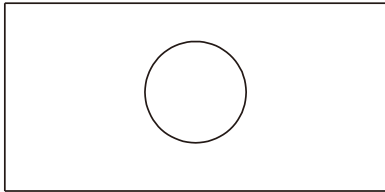
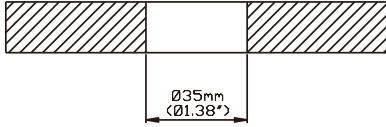


NO	NAME
1.	M5 round head screws
2.	Lock nut
3.	Stainless steel gasket
4.	Rubber gasket
5.	Threaded pipe
6.	Bottom gasket
7.	Faucet body
8.	Cartridge
9.	Locking nut
10.	Cartridge cover
11.	Handle knob
12.	M6 screw
13.	Handle bar
14.	Gasket
15.	Aerator
16.	Aerator holder
17.	Hose

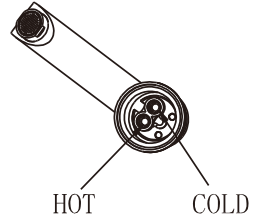
Product Dimension Drawing



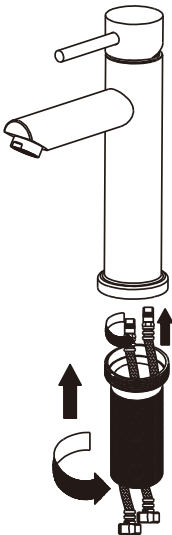
Faucet Installation Procedures



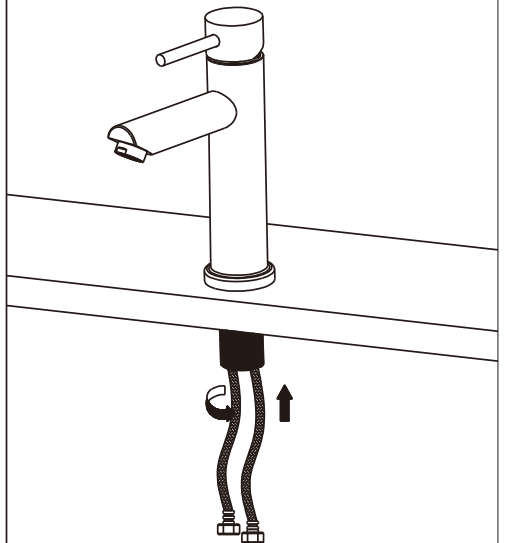
step ①



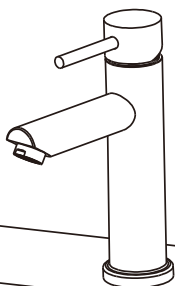
step ②



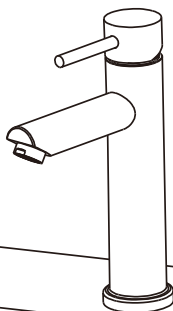
step ③



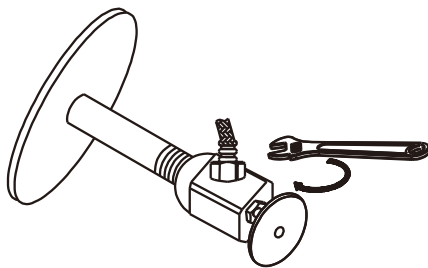
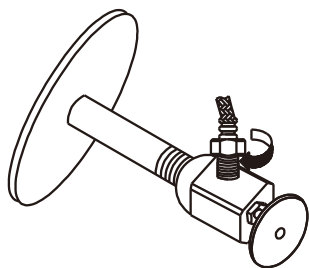
step ④



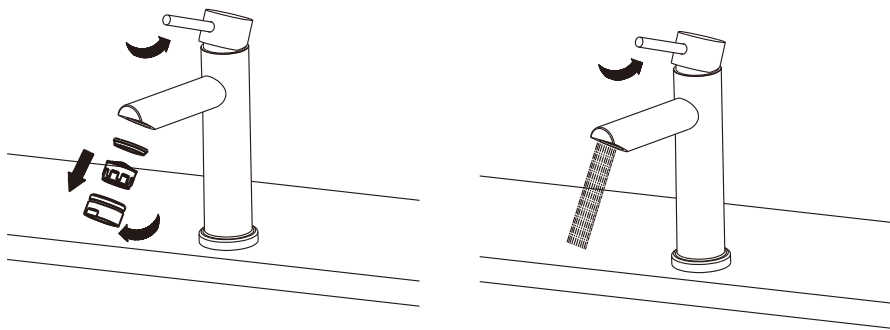
step ⑤



step ⑥



step ⑦



Notice:

Please removing all of the sand, silt and other things from the water hose before assembling, to avoid blocking the faucet and effecting water rate. Please use the special tools to disassemble it and wash with pneumatic equipment, if the faucet blocked.

step ⑧

